

SEPAR FILTER

SWK- 2000/40M

MARINE SERIES

Max. Flow Rate: 630 GPH -2400 LPH



SWK - 2000/40MK



SWK - 2000/40UM

Separ 2000 series water separators fuel filters are a simple solution to many different fuel related problems. Five separate stages of filtration ensure 99.9% water separation at max flow. Low restriction reduces wear on fuel pumps and ensures full RPM's. Back flushable (cleanable) element reduces down time and costly element changes.

Inlet / Outlet Connections

Single Unit: 1 5/16-12 Straight o-ring SAE

Duplex Unit: #20 Male JIC Flare (Optional Adapters Available)

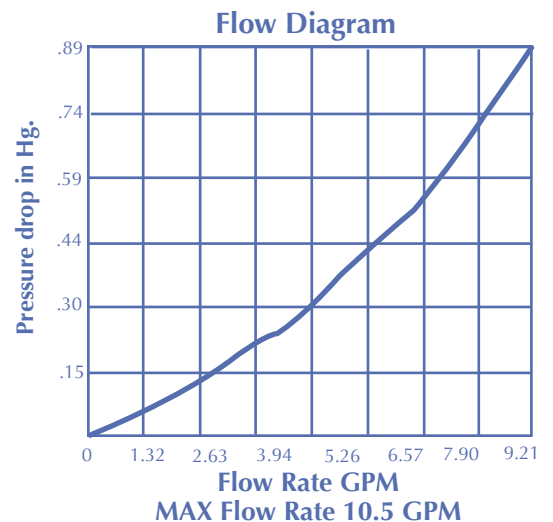
OPTIONS

M = Metal Bowl

U = Switchable filter

MK = Metal bowl with contacts for water level

G = Gauge



SEPAR of the America's LLC
201 SW 20th Street,
Fort Lauderdale, FL 33315

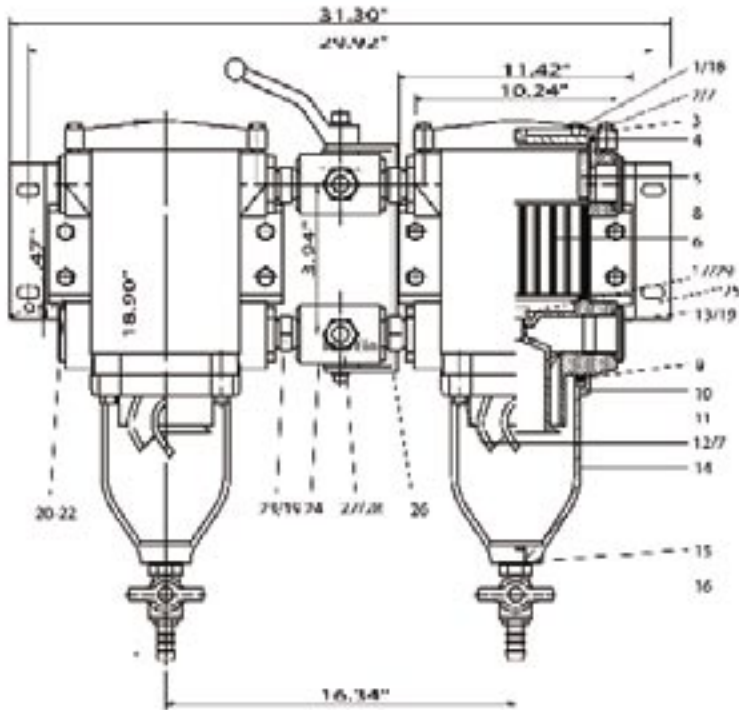
Phone: (954) 523 - 9396
Fax: (954) 522 - 0456

www.separfilter.com
info@separfilter.com

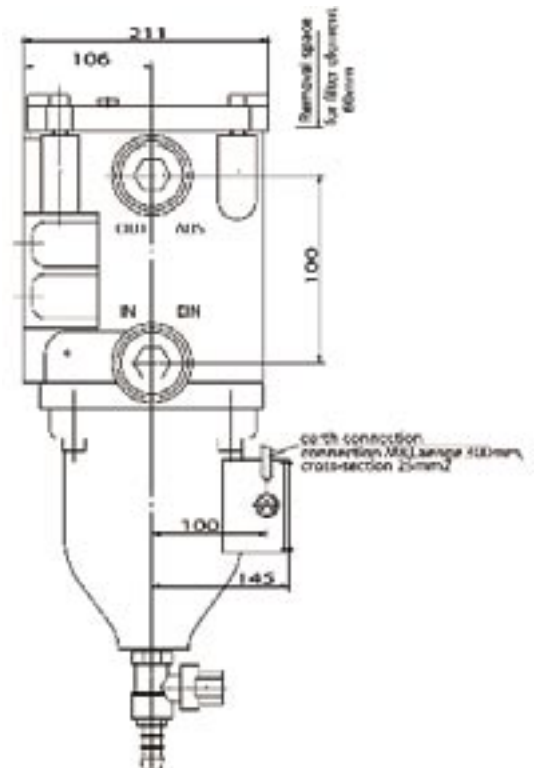
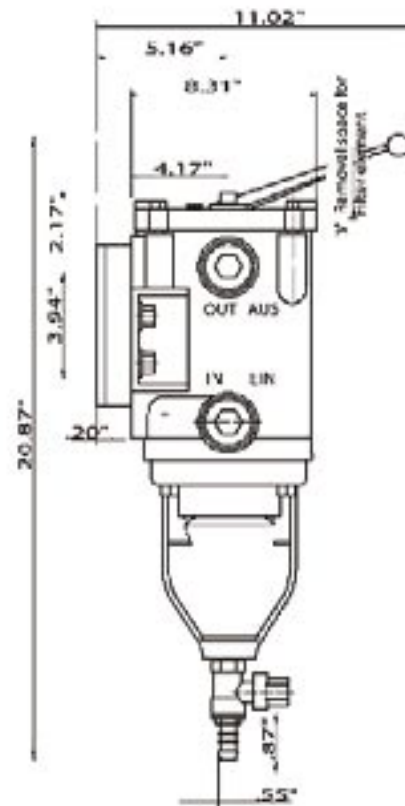
0701 15

SEPAR FILTER

SWK- 2000/40M & 40UM



Inlet | Outlet Pipe Connection 22 mm
We reserve the right to alter the specifications without prior notice!



POS	Part #	Qty	Description	POS	Part #	Qty	Description
1	30408	1	Bleed Screw	19	6408-16	2	Plug O-Ring
2	30404	4	Lid Screw	20	30478	4	Mounting Bracket Screw
3	30435	1	Lid	21	30178	4	Mounting Bracket Lock Nut
4	30440	1	Lid Gasket	22	30104	8	Mounting Bracket Washer
5	30299	1	Spring Frame	23	30468	4	Straight Fitting
6	04030	1	Filter Element	24	30467	1	Reversing Valve
7	30021	8	Lid Screw Washer	25	30470	1	Mounting Bracket
8	10049	1	Right Side Housing	26	30493	1	Reversing Lever
9	30442	1	Bowl Gasket	27	30340	2	Union Nut
10	30446	1	Retainer Ring	28	30341	2	Cutting Ring
11	30438	1	Centrifuge	29	30395	4	Gasket
12	30567	4	Bowl Screw	30	30448	4	Bowl Screw Washer
13	6408-16	2	Plug	31	30402/11	1	Single Water Contact
14	30457	1	Metal Bowl	32	30403/11	1	Dual Water Contact
15	10048	1	Life Side Housing		30652	1	Gauge
16	30456	1	Drain Valve		9200-20-35	1	#20 Male JIC
17	30560	1	Centrifuge Screw		30544	1	Drain Valve O-Ring
18	30558	1	Bleed Valve Gasket				