



MTC-3000

Mobile Fuel Polishing System

AXI International's MTC-3000 system is a mobile fuel polishing system designed to efficiently clean and restore diesel and bio-fuels to pristine condition. The MTC-3000 system features a multi-stage filtration process that includes a magnetic fuel conditioner for the collection of ferrous metals and a water separator and fine filter for the filtration of sludge, particulates, water, and other diesel fuel contaminants. The fuel polishing system's cart-based design allows for maximum portability and ease of transportation from tank to tank.



Over time, stored fuel can begin to degrade and even harbor contaminants such as water, sediment, and microbes upon delivery. On-board fuel filters should last thousands of hours. However, frequent filter changes and fuel replacement have become common maintenance practices that only address the symptoms of poor fuel quality.

AXI International's MTC Systems serve to remove contaminants and restore fuel quality to ensure reliable and uninterrupted engine performance.

MTC-3000 SPECIFICATIONS

Nominal Flow Rate	26 GPM/1,560 GPH (98.4 LPM/5,905 LPH)
Primary Filter	Mechanical Water Separator
Secondary Filter	1, 3, 10, 25 μ Particulate or 3, 10 μ Water Block
Fuel Conditioner	LG-X 3000 Inline Magnetic Conditioner
Pump	3/4 HP Rotary Vane Pump
Power	120V/60Hz/15A or 230V/50Hz/15A*
Plumbing	Black Iron
Ports	1.5" Cam & Groove In, 1.25" Out
Clear Suction Hose	1.5", 25 ft (7.6 m)
Discharge Hose	1.25", 25 ft (7.6 m)
Dimensions	48" x 22.5" x 25" (H x W x D) (122 x 57 x 63 cm)
Weight	\approx 200 lbs (90.7 kg)
Not for use with fluids that have a flash point below 100°F (37.8°C).	

*At 50 Hz, nominal flow rate decreases from 26 GPM to 20.8 GPM

MTC-3000 SYSTEM FEATURES:

- Multi-Stage Fuel Filtration
- Portable System Design
- Locking Cam and Groove Connections
- Spill Containment Tray
- Fine Filter Bypass Capability



1.239.690.9589
1.877.425.4239 Toll Free
www.AXI-International.com

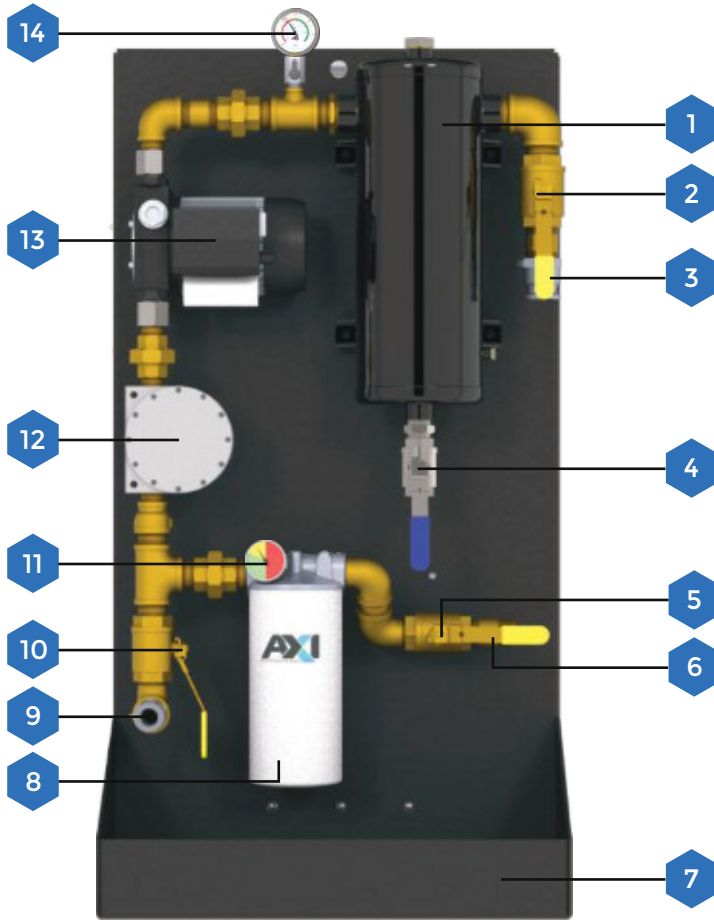
AXI.International

AXInternational

AXIFuel

AXIFuel

REV02033000010220



1. Mechanical Water Separator
2. Inlet Ball Valve
3. Fuel Inlet (From Tank)
4. Water Separator Drain Valve
5. Outlet Ball Valve (Discharge Port 2)
6. Fuel Discharge Port 2
7. Spill Containment Tray
8. Fine Filter
9. Fuel Discharge Port 1
10. Outlet Ball Valve (Discharge Port 1)
11. Pressure Gauge
12. Fuel Conditioner
13. Motor with Coupled Vane Pump
14. Vacuum Gauge

◆ MTC SYSTEM INTEGRATION:



◆ REPLACEMENT FILTER OPTIONS:

Spin-On Filter	Part No.
3 μ Water Block Filter	WB-3
10 μ Water Block Filter	WB-10
3 μ Fine Filter	FF-3
10 μ Fine Filter	FF-10
25 μ Fine Filter	FF-25